

Multi play structures

J4937V



3+



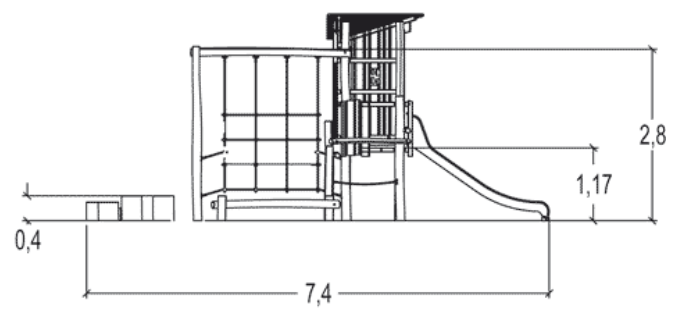
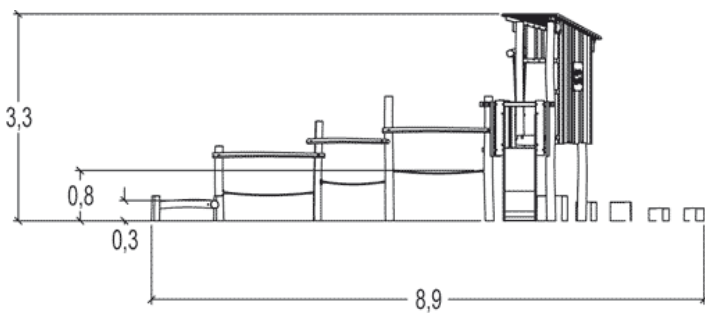
17



1,7m



1 = 7,75m 2 = 8,88m 3 = 3,32m



Play value

sliding



x1

balancing



x3

climbing



x1

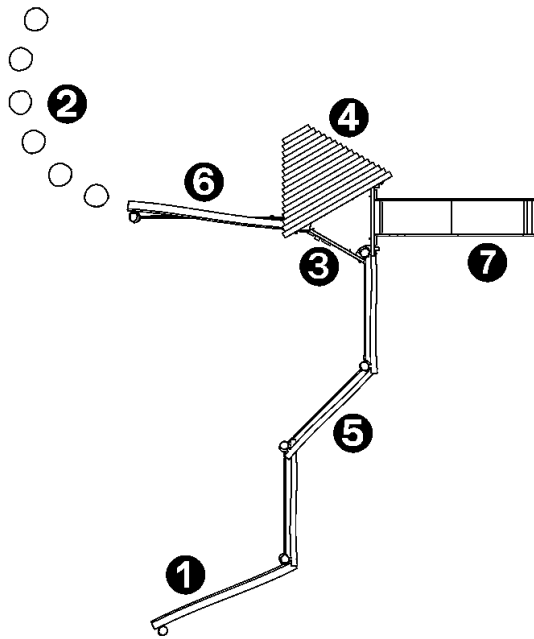
meeting / role play



x2

Number of play elements: 7

Proludic

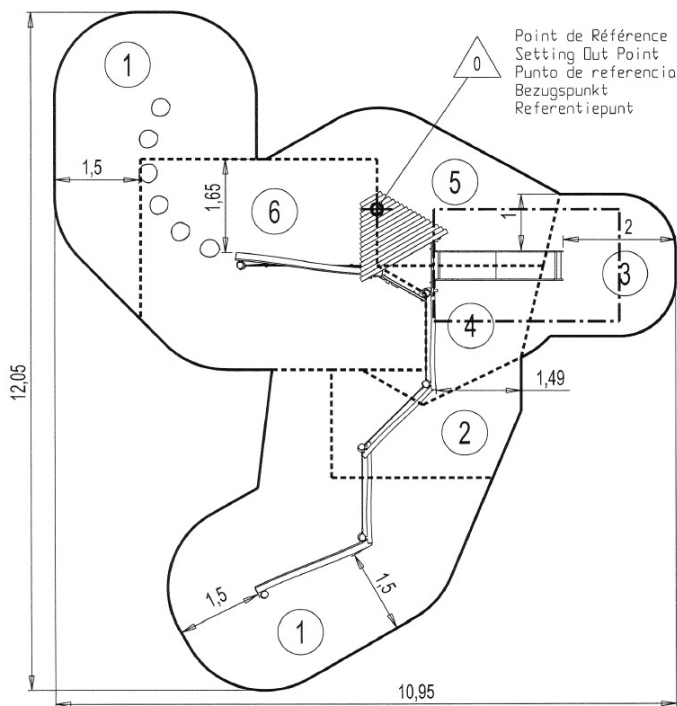


- ① Balance Beam
- ② Japanese steps
- ③ Roof
- ④ Platform Ht: 1.37m
- ⑤ Rope walkway
- ⑥ Vertical net
- ⑦ Slide Ht: 1.17m

Installation of equipment

Impact area =

- Impact area
- Free space



| 1 | 0,6m | 29m ² |
|---|-------|--------------------|
| 2 | 0,86m | 5,5m ² |
| 3 | 1m | 5,6m ² |
| 4 | 1,17m | 4,5m ² |
| 5 | 1,37m | 8m ² |
| 6 | 1,7m | 16,5m ² |



2



09h50



0.48m³



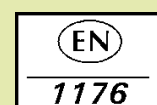
69.5m²



1074kg



400kg



Proludic

2014-07-29